

ACT845SMX-2

The ACT845SMX-2 is a 2 pad, cost competitive ceramic packaged, glass sealed crystal. The package provides for the durability and reliability, necessary for reflow processes. The pads are gold plated. With its wide range of frequencies allowing for ease of circuit design, and with a good range of stabilities, it has become one of the optimum choices for design engineers. (Available loose or reeled to suit low / high volume requirements).

Applications include Microprocessor Systems, Instrumentation, Communications, Notebook & PCMCIA and many more.

Compatible with Eu Directive
 2002/95/EC - RoHS
 Contains Pb in sealing glass
 exempted from Article 4(1)
 of the directive

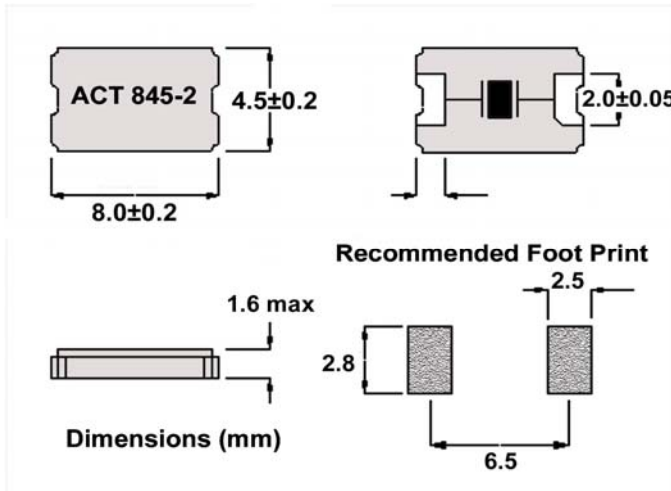


Specification

Parameter	Symbol	Specification	Condition
Frequency Range	fo	10.0 ~ 48.0 MHz	Fundamental
		48.0 ~ 80.0 MHz	Third Overtone
Frequency Tolerance	$\Delta f/f_0$	$\pm 20\text{ppm} \sim 100\text{ppm}$ (@25°C $\pm 3^\circ\text{C}$)	Please refer to Table 2
Stability over Temp Range	Tc	$\pm 20\text{ppm} \sim 100\text{ppm}$ (Ref to :25°C $\pm 3^\circ\text{C}$)	Please refer to Table2
Temp Operating Range	Topr	-10 ~ +70°C	
Temp Storage Range	Tstg	-40 ~ +85°C	
Equivalent Series Resistance	ESR	See Table 1	
Load Capacitance	CL	10 ~ 30pF or Series Resonance	Please specify
Shunt Capacitance	C0	7pF max	
Drive Level	DL	300 μW max. (100 μW Typical)	
Insulation Resistance	IR	500M Ω min	@100V DC
Reflow Process		10 Seconds (max) @260°C	
Aging	Fa	$\pm 5\text{ppm} / \text{year max}$	@25°C

Table 1

Frequency MHz	ESR Ω max	Mode
10.0~11.999	80	Fundamental
12.0~47.999	50	Fundamental
48.0~84.0	70	3rd Overtone



Pad surface material Au

Table 2

		$\pm 20\text{ppm}$	$\pm 30\text{ppm}$	$\pm 50\text{ppm}$	$\pm 100\text{ppm}$
Stability	25°C	Enquire	<input checked="" type="checkbox"/>	<input checked="" type="checkbox"/>	<input checked="" type="checkbox"/>
	-10~+70°C	Enquire	<input checked="" type="checkbox"/>	<input checked="" type="checkbox"/>	<input checked="" type="checkbox"/>
	-40~+85°C	Enquire	<input checked="" type="checkbox"/>	<input checked="" type="checkbox"/>	<input checked="" type="checkbox"/>

Please note that all parameters can not necessarily be specified in the same device

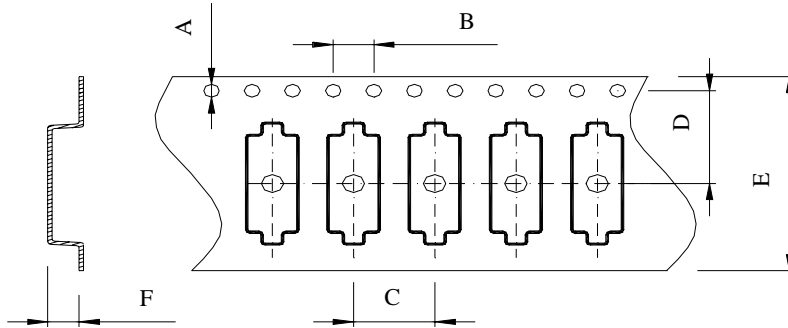
Customer to specify : Frequency, Frequency Tolerance, Temperature Stability, Operating Temperature & Load Capacitance
 In line with our ongoing policy of product evolution and improvement, the above specification may be subject to change without notice

ISO9001:2000 Registered

For quotations or further information please contact us at:
 3 The Business Centre, Molly Millars Lane, Wokingham, Berkshire, RG41 2EY, UK
<http://www.actcrystals.com>

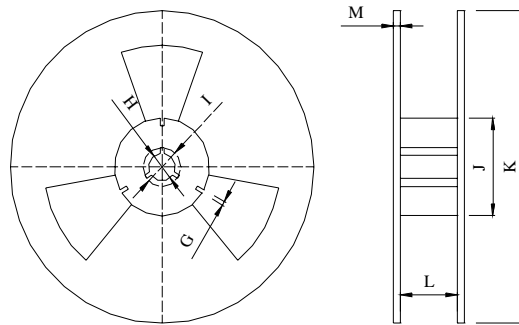
Issue 3 H2
 Date 28/10/05

ACT845SMX-2 TAPE DIMENSIONS (Units :mm) 1,000 piece reels standard



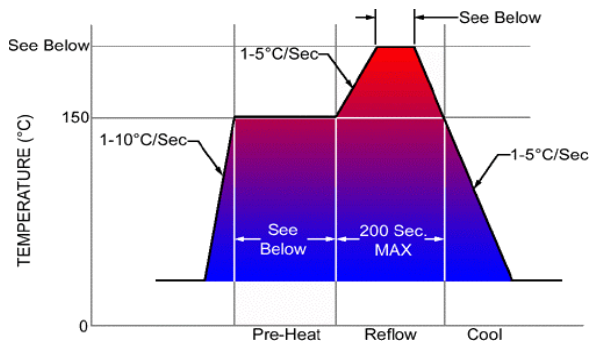
A	B	C	D	E	F
1.5	4.0	8.0	7.5	16.0	2.0

REEL DIMENSIONS (Units :mm)



G	H	I	J	K	L	M	G	H	I	J	K	L	M
2.5	13.5	21.6	60.0	178.0	17.5	1.6	65.2	71.0	76.7	82.5	88.3	94.1	99.8

SOLDERING CONDITIONS



Pre Heat : 30 ~ 60 Seconds
 Reflow temp : 260°C Max

In line with our ongoing policy of product evolution and improvement, the above specification may be subject to change without notice

ISO9001:2000 Registered

For quotations or further information please contact us at:
 3 The Business Centre, Molly Millars Lane, Wokingham, Berkshire, RG41 2EY, UK
<http://www.actcrystals.com>

Issue 3 H2
 Date 28/10/05